

Callisto 240HD GEN2



- Electro-Mechanical Lift, Tilt, Back and Leg Rest
- Multi Functional Foot Control
- 3 Position Programmable Memory
- Wide, Bariatric Cushions
- Upholstered with Medical Grade vinyl
- Swing Up/Removable Armrests
- Adjustable/Removable Facehole Headrest
- Adjustable/Removable Leg Rest Extension
- Drop Down Castors for easy relocation
- Includes clear plastic Legrest cover

CHAIR02-P	Platin Grey
CHAIR02-R	Royal Blue
CHAIR02-A	Anthracite
CHAIR02-BK	Black
CHAIR02-O	Ocean Teal
CHAIR02-F	Fuschia

Log-in to www.briggatemedical.com for pricing

Also available with
Seamless Upholstery
Refer to pg 4 for further information

ARTG DECLARED
95117

PATIENT
LIFT
CAPACITY: **240kg**
960kg Static Hold

LOW
ENTRY
HEIGHT: **55cm**

Programmable
Chair Position Memory

Warranty:
5 years

Delivery fees may apply depending
on delivery destination and courier
service required.

Adjustable/Removable
multi-hinged Horse-Shoe Headrest

Swing-up/Removable
Armrests

Callisto 240HD
Royal Blue



Drop-down castors for
easy relocation

Multi-function Foot Control with Programmable Memory

briggatemedicalcompany

Supporting Podiatrists with integrity and trust since 1987

(03) 8586 7800 (Melb. Metro)

1800 33 4142 (Free Call)

briggate@briggate.com.au

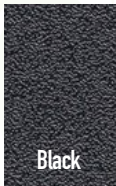
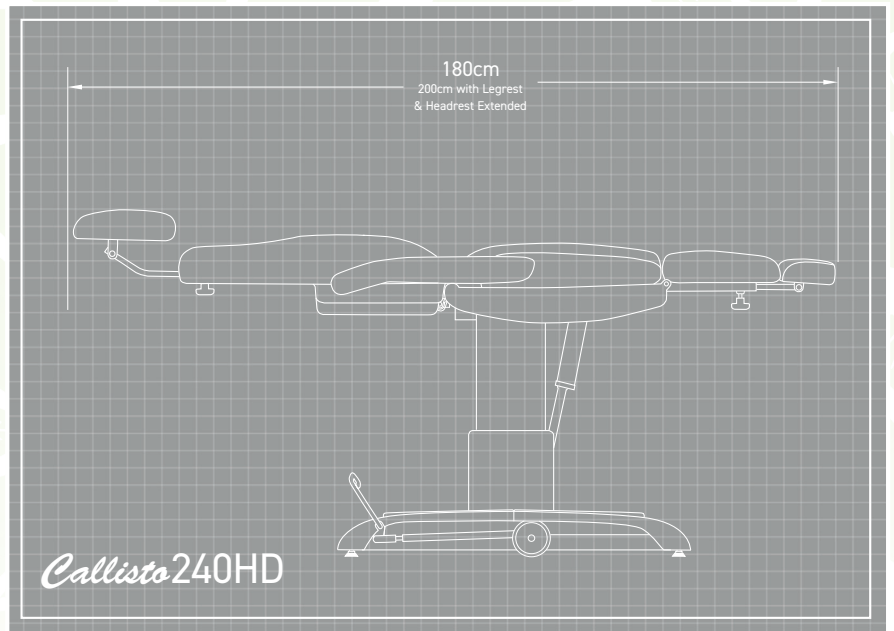
www.briggatemedical.com

Callisto240HD

GEN2

Specifications:

- Maximum Lift Capacity 240kg
 - Minimum Seat Height 55cm
 - Maximum Leg Rest Height (tilted) 135cm
 - Maximum Length (flat) 200cm
 - Clearance between Armrests 65cm
 - Chair Width 82cm
-
- Base Plate Width 50cm
 - Base Plate Length 90cm
 - Seat Cushion: 60cmW x 50cmD
 - Back Cushion: 60cmW x 60cmH
 - Leg Cushion: 55cmW x 50cmL
-
- Foot Control: 46cmW x 20cmD
-
- Mains voltage 100-240 VAC 50/60 Hz
 - Shipping Weight 90kg
 - ARTG# 95117



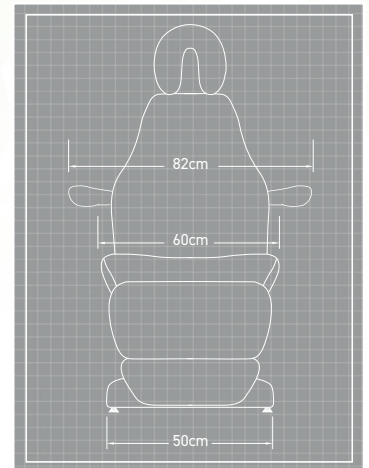
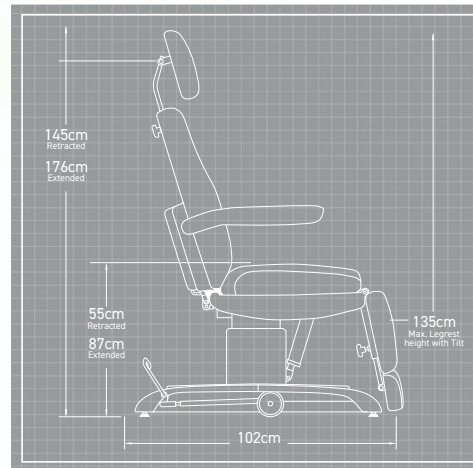
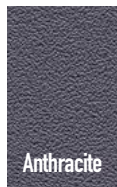
PANDORIA PLUS



- All chairs are supplied upholstered in Skai Pandoria Plus Medical Grade vinyl.
- Available in the Standard Seamed upholstery or in a Seamless option.

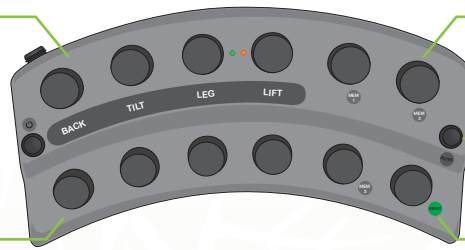


- Characteristics:
 - Medical grade (ISO 10993-5+ 10)
 - Anti-bacterial
 - Resistant to staining from bodily fluids
 - Tear & abrasion resistant
 - Flame resistant
 - Easy to clean



Individual buttons that raise/lower the four mechanical functions of the chair: Back Rest, Seat Tilt, Leg Rest and Lift Height

Chair enters "Power Saver" mode when not used for 10 minutes however stays in it's current position and will "wake-up" upon pressing any button



3 Programmable Memory Positions that allow the operator to store their preferred chair treatment positions

Auto button allows one-touch activation for the chair to move in to any pre-programmed position

Reset button restores the chair to it's base entry position

briggatemedicalcompany

Supporting Podiatrists with integrity and trust since 1987

Callisto 240HD SEAMLESS GEN2

All the same features and specifications as listed on previous pages, the Callisto 240HD SEAMLESS is upholstered without stitching - making it aesthetically pleasing and easy to clean. Ideal where infection control is a priority.

CHAIR02-PS	Platin Grey
CHAIR02-RS	Royal Blue
CHAIR02-AS	Anthracite

Log-in to www.briggatemedical.com for pricing

skai

PANDORIA PLUS

MEDICAL GRADE VINYL

-  MEDICAL GRADE
meets ISO 10993-5+10
-  RESISTANT TO STAINING
FROM BODILY FLUID
-  ANTIBACTERIAL
-  FLAME RESISTANT
-  TEAR & ABRASION
RESISTANT
-  EASY TO CLEAN



briggatemedicalcompany

Supporting Podiatrists with integrity and trust since 1987

(03) 8586 7800 (Melb. Metro)

1800 33 4142 (Free Call)

briggate@briggate.com.au

www.briggatemedical.com

Callisto 240HD GEN2



BACK REST

Callisto 240HD
Platin Grey

**5 YEAR
WARRANTY**

skai®

**PANDORIA
PLUS**
MEDICAL GRADE VINYL



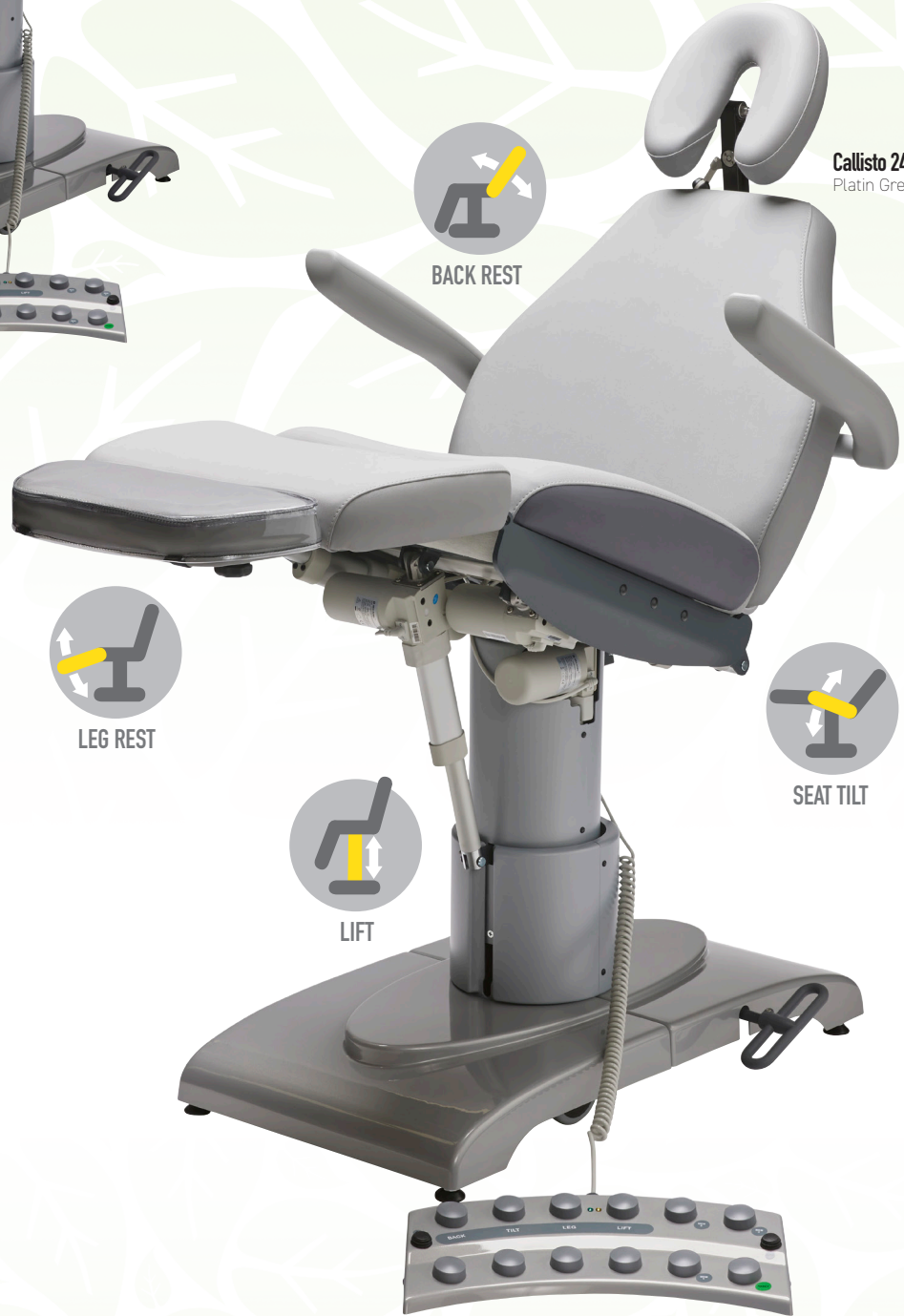
LEG REST



SEAT TILT



LIFT



briggatemedicalcompany

Supporting Podiatrists with integrity and trust since 1987

(03) 8586 7800 (Melb. Metro)

1800 33 4142 (Free Call)

briggate@briggate.com.au

www.briggatemedical.com

Callisto 240HD GEN2

**EXPANDED
COLOUR RANGE**

FUSCHIA



*OCEAN
TEAL*



BLACK



*Colour matched Op-Chairs
also available*

briggatemedicalcompany

Supporting Podiatrists with integrity and trust since 1987