

Callisto 240HD GEN2

- Electro-Mechanical Lift, Tilt, Back and Leg Rest
- Multi Functional Foot Control
- 3 Position Programmable Memory
- Wide, Bariatric Cushions
- Upholstered with Medical Grade vinyl
- Swing Up/Removable Armrests
- Adjustable/Removable Facehole Headrest
- Adjustable/Removable Leg Rest Extension
- Drop Down Castors for easy relocation
- Includes clear plastic Legrest cover
- ARTG# 95117

| | |
|-----------|-----------------|
| CHAIR02BI | Birch |
| CHAIR02BL | Black |
| CHAIR02DS | Deep Sea (Navy) |
| CHAIR02SG | Slate Grey |

| | |
|------------|---------------------------------------|
| CHAIR02DSS | Deep Sea (Navy) - Seamless Upholstery |
| CHAIR02SGS | Slate Grey - Seamless Upholstery |

Log-in to www.briggatemedical.com for pricing



briggatemedicalcompany

Supporting Podiatrists with trust & integrity since 1987

(03) 8586 7800 (Melb. Metro)

1800 33 4142 (Free Call)

briggate@briggate.com.au

www.briggatemedical.com

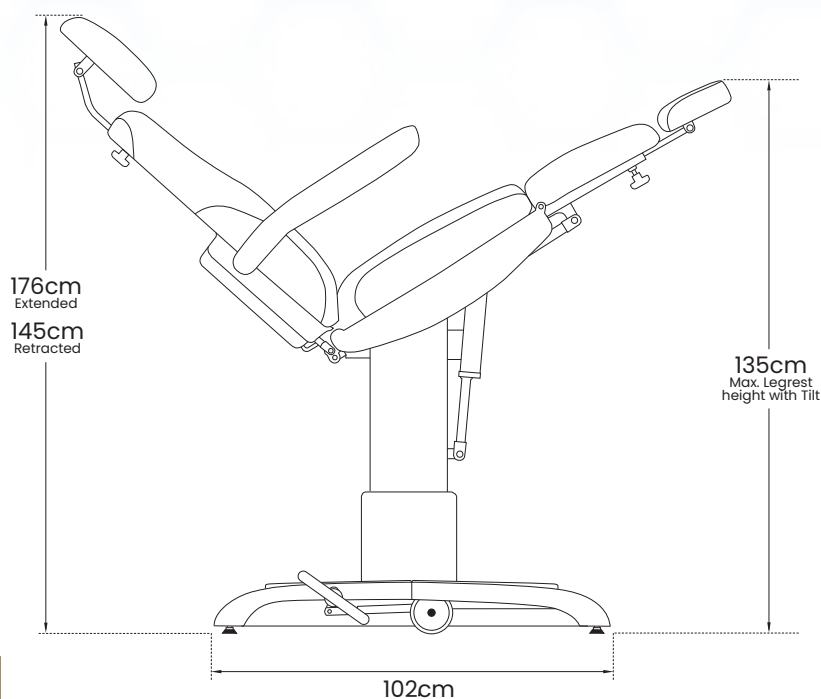
Callisto 240HD

GEN2

briggatemedicalcompany

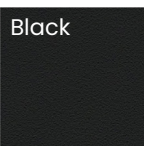
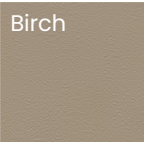
Supporting Podiatrists with trust & integrity since 1987

| Specifications: | |
|----------------------------------|----------------------|
| Maximum Lift Capacity | 240kg |
| Minimum Seat Height | 55cm |
| Maximum Leg Rest Height (tilted) | 135cm |
| Maximum Length (flat) | 200cm |
| Clearance between Armrests | 65cm |
| Chair Width | 82cm |
| Base Plate Width | 50cm |
| Base Plate Length | 90cm |
| Seat Cushion: | 60cmW x 50cmD |
| Back Cushion: | 60cmW x 60cmH |
| Leg Cushion: | 55cmW x 50cmL |
| Foot Control: | 46cmW x 20cmD |
| | |
| Mains voltage | 100-240 VAC 50/60 Hz |
| Shipping Weight | 90kg |
| ARTG# | 95117 |



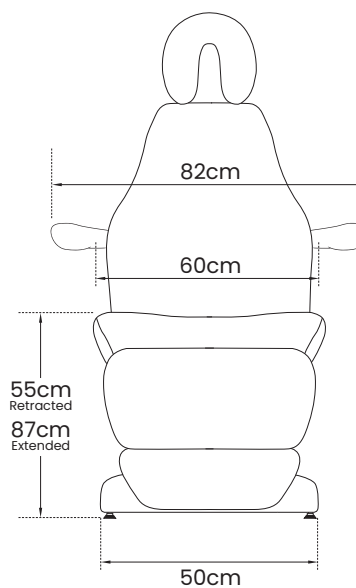
MEDICAL GRADE VINYL UPHOLSTERY

All chairs are supplied upholstered in Skai Tovega Medical Grade vinyl in one of 4 colour options

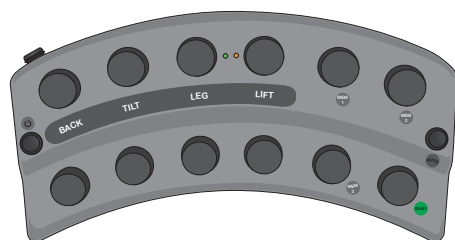


Vinyl Characteristics:

- Medical grade (ISO 10993-5+ 10)
- Anti-bacterial
- Resistant to staining from bodily fluids
- Tear & abrasion resistant
- Flame resistant
- Easy to clean
- Lightfast
- Phthalate & solvent free
- Peta Approved VEGAN
- Thickness: 1.3 +/- 0.2 mm
- Made in Germany

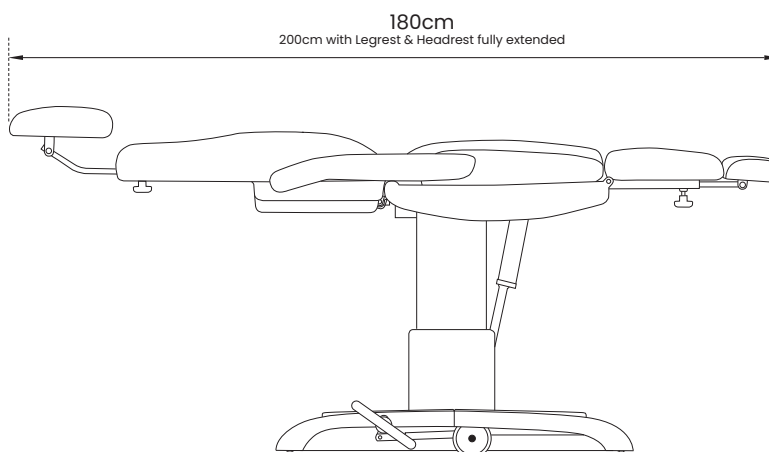


Please note: Vinyl upholstery colours may vary slightly from those shown above due to differences in lighting conditions and display settings on your screen.



Foot Control Functions:

- 8 individual buttons that raise/lower the four mechanical functions of the chair: Back Rest, Seat Tilt, Leg Rest and Lift Height
- 3 Programmable Memory Positions that allow the operator to store their preferred chair treatment positions
- Auto button allows one-touch activation for the chair to move in to any pre-programmed position
- Reset button restores the chair to it's base entry position



Callisto 240HD GEN2



Callisto 240HD
Birch



Callisto 240HD
Black



Callisto 240HD
Deep Sea with
Seamless Upholstery

skai® TOVEGA

MEDICAL GRADE VINYL UPHOLSTERY



MEDICAL GRADE
DIN EN ISO 10993-5+10



TEAR & ABRASION
RESISTANT



RESISTANT TO STAINING
FROM BODILY FLUID



EASY TO
CLEAN



LONG LASTING



LIGHTFAST
DIN EN ISO 105-B02,
Level 6



FLAME RESISTANT
DIN EN 1021-1+2, MVSS 302,
BS 5852 IS-0+1

briggatemedicalcompany

Supporting Podiatrists with trust & integrity since 1987

(03) 8586 7800 (Melb. Metro)

1800 33 4142 (Free Call)

briggate@briggate.com.au

www.briggatemedical.com