

# Callisto

## GEN2

OVER 1,700 UNITS IN OPERATION  
THROUGHOUT AUSTRALIA

- Electro-Mechanical Lift, Tilt, Back and Leg Rest
- Multi-Functional Foot Control with a Reset Button and Multi-Lift Feature
- Upholstered with Medical Grade vinyl
- Swing Up/Removable Armrests
- Adjustable/Removable Headrest
- Adjustable/Removable Leg Rest Extension
- Drop Down Castors for easy relocation
- Includes clear plastic Legrest cover

CHAIR01-PG	Platin Grey
CHAIR01-RB	Royal Blue
CHAIR01-AN	Anthracite

Log-in to [www.briggatemedical.com](http://www.briggatemedical.com) for pricing

Adjustable/Removable  
Headrest

Swing-up/Removable  
Armrests

Improved design with lower  
entry height of 53cm

**ARTG DECLARED**  
# 95117

PATIENT  
LIFT  
CAPACITY: **175kg**  
700kg Static Hold

**NO on-going  
service required**

**Proven Reliability &  
Design over 15 years**

Warranty:  
**5 years**



Callisto  
Anthracite

Drop-down castors for  
easy relocation

Multi-function Foot Control  
with Reset Button  
& Multi-Lift feature



# briggatemedicalcompany

Supporting Podiatrists with integrity and trust since 1987

(03) 8586 7800 (Melb. Metro)

1800 33 4142 (Free Call)

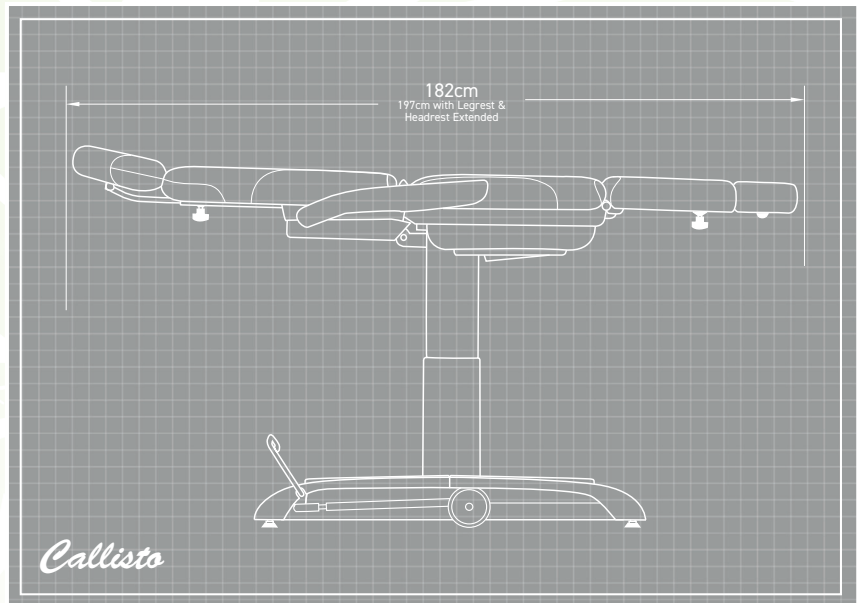
[briggate@briggate.com.au](mailto:briggate@briggate.com.au)

[www.briggatemedical.com](http://www.briggatemedical.com)

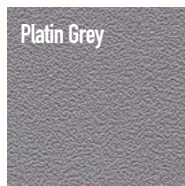
# Callisto GEN2

## Specifications:

■ Lift Capacity	175kgs
■ Minimum Seat Height	53cm
■ Maximum Legrest Height (tilted)	122cm
■ Maximum Length (flat)	182cm
■ Clearance between Armrests	57cm
■ Chair Width	73cm
■ Base Width	50cm
■ Base Length	90cm
■ Seat Cushion:	52cmW x 48cmD
■ Back Cushion:	52cmW x 56cmH
■ Leg Cushion (incl. extension):	52cmW x 46cmL
■ Foot Control:	43cmW x 16cmD
■ Mains voltage	100-240 VAC 50/60 Hz
■ Shipping Weight	85kg
■ ARTG#	95117

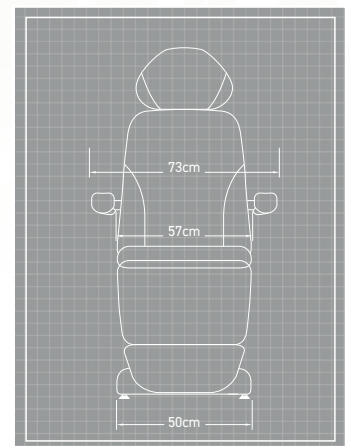
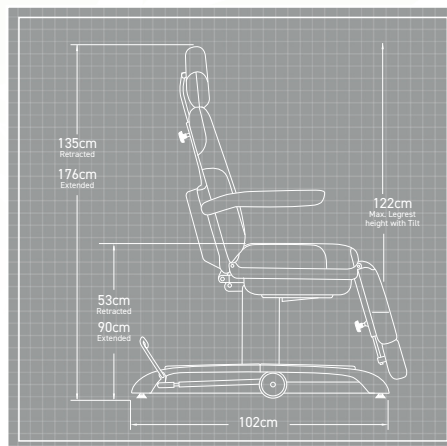


## PANDORIA PLUS



■ All chairs are supplied upholstered in Skai Pandoria Plus Medical Grade vinyl.

- Characteristics:
- Medical grade (ISO 10993-5+ 10)
  - Anti-bacterial
  - Resistant to staining from bodily fluids
  - Tear & abrasion resistant
  - Flame resistant
  - Easy to clean



Individual buttons that raise/lower the four mechanical functions of the chair: Back Rest, Seat Tilt, Leg Rest and Lift Height

Head Down & Flat Buttons direct the chair in to Trendelenberg and Plinth positions

Reset button restores the chair to it's base entry position

Multi-Lift Button directs the chair into an ideal Podiatry treatment position

# briggatemedicalcompany

Supporting Podiatrists with integrity and trust since 1987

(03) 8586 7800 (Melb. Metro)

1800 33 4142 (Free Call)

briggate@briggate.com.au

www.briggatemedical.com

# Callisto

## GEN2



**5 YEAR  
WARRANTY**

**skai**

**PANDORIA  
PLUS**  
MEDICAL GRADE VINYL



**briggatemedicalcompany**

Supporting Podiatrists with integrity and trust since 1987

(03) 8586 7800 (Melb. Metro)

1800 33 4142 (Free Call)

briggate@briggate.com.au

www.briggatemedical.com