

Callisto GEN2

PATIENT CHAIR

- OVER 1,900 UNITS IN OPERATION THROUGHOUT AUSTRALIA
- PROVEN RELIABILITY & DESIGN FOR OVER 20 YEARS
- NO ON-GOING SERVICE REQUIRED

- Electro-Mechanical Lift, Tilt, Back and Leg Rest
- Multi-Functional Foot Control with Reset Button and Multi-Lift Feature
- Upholstered with SKAI Tovega Medical Grade vinyl
- Swing Up/Removable Armrests
- Adjustable/Removable Headrest
- Adjustable/Removable Leg Rest Extension
- Drop Down Castors for easy relocation
- Includes clear plastic Legrest cover
- ARTG# 95117

CHAIR01BI	Birch
CHAIR01BL	Black
CHAIR01DS	Deep Sea (Navy)
CHAIR01SG	Slate Grey

Log-in to www.briggatemedical.com or contact us for pricing.



briggatemedicalcompany

Supporting Podiatrists with trust & integrity since 1987

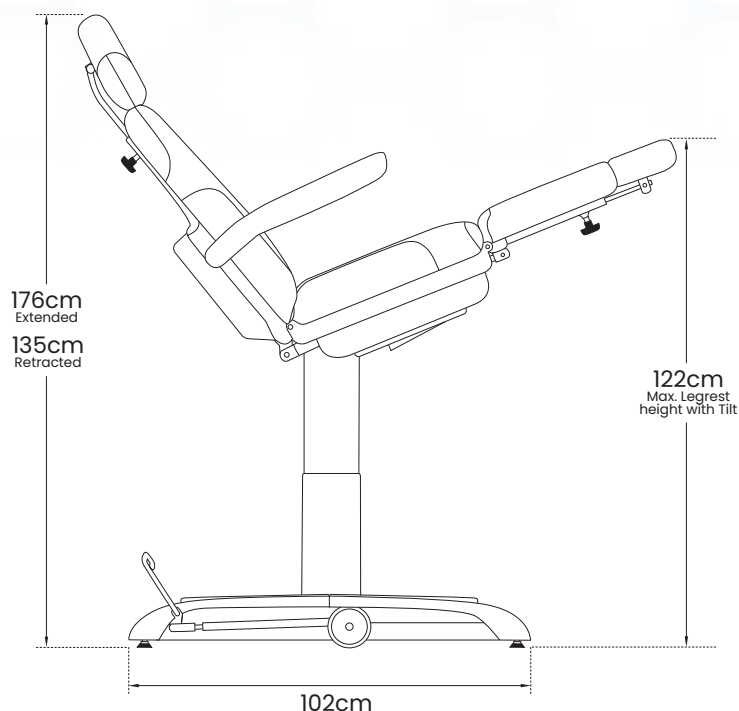
(03) 8586 7800 (Melb. Metro)

1800 33 4142 (Free Call)

briggate@briggate.com.au

www.briggatemedical.com

Specifications:	
Lift Capacity	175kgs
Minimum Seat Height	53cm
Maximum Legrest Height (tilted)	122cm
Maximum Length (flat)	182cm
Clearance between Armrests	57cm
Chair Width	73cm
Base Width	50cm
Base Length	90cm
Seat Cushion:	52cmW x 48cmD
Back Cushion:	52cmW x 56cmH
Leg Cushion (incl.extension):	52cmW x 46cmL
Foot Control:	43cmW x 16cmD
Mains voltage	100-240 VAC 50/60 Hz
Shipping Weight	85kg
ARTG#	95117



skai TOVEGA

MEDICAL GRADE VINYL UPHOLSTERY

All chairs are supplied upholstered in Skai Tovega Medical Grade vinyl in one of 4 colour options

Vinyl Characteristics:

Medical grade (ISO 10993-5+ 10)

Anti-bacterial

Resistant to staining from bodily fluids

Tear & abrasion resistant

Flame resistant

Easy to clean

Lightfast

Phthalate & solvent free

Peta Approved VEGAN

Thickness: 1.3 +/- 0.2 mm

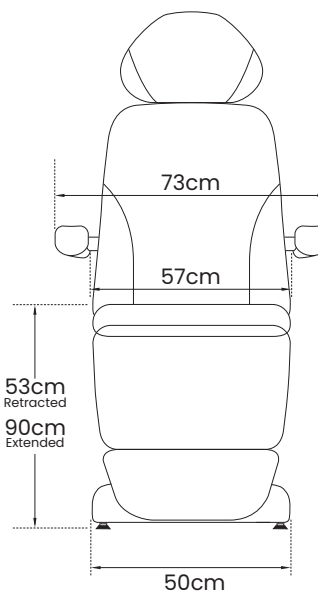
Made in Germany

Birch

Black

Deep Sea

Slate Grey



Please note: Vinyl upholstery colours may vary slightly from those shown above due to differences in lighting conditions and display settings on your screen.



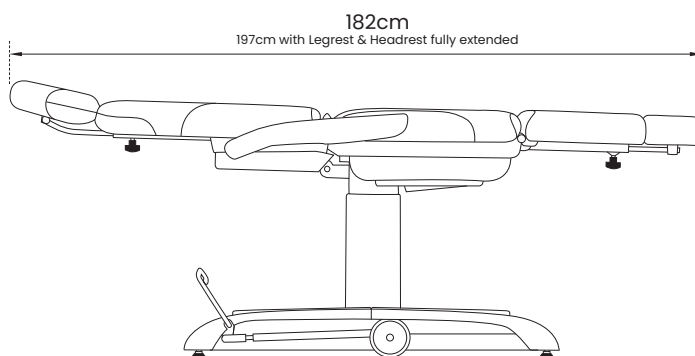
Foot Control Functions:

8 individual buttons that raise/lower the four mechanical functions of the chair: Back Rest, Seat Tilt, Leg Rest and Lift Height

Head Down & Flat Buttons direct the chair in to Trendelenberg and Plinth positions

Reset button restores the chair to it's base entry position

Multi-Lift Button directs the chair into an ideal Podiatry treatment position



Callisto GEN2

PATIENT CHAIR



Callisto
Birch



Callisto
Black



Callisto
Slate Grey

skai® TOVEGA

MEDICAL GRADE VINYL UPHOLSTERY



MEDICAL GRADE
DIN EN ISO 10993-5+10



TEAR & ABRASION
RESISTANT



RESISTANT TO STAINING
FROM BODILY FLUID



EASY TO
CLEAN



LONG LASTING



LIGHTFAST
DIN EN ISO 105-B02,
Level 6



FLAME RESISTANT
DIN EN 1021-1+2, MVSS 302,
BS 5852 IS-0+1

briggatemedicalcompany

Supporting Podiatrists with trust & integrity since 1987

(03) 8586 7800 (Melb. Metro)

1800 33 4142 (Free Call)

briggate@briggate.com.au

www.briggatemedical.com