

LUXO

wave

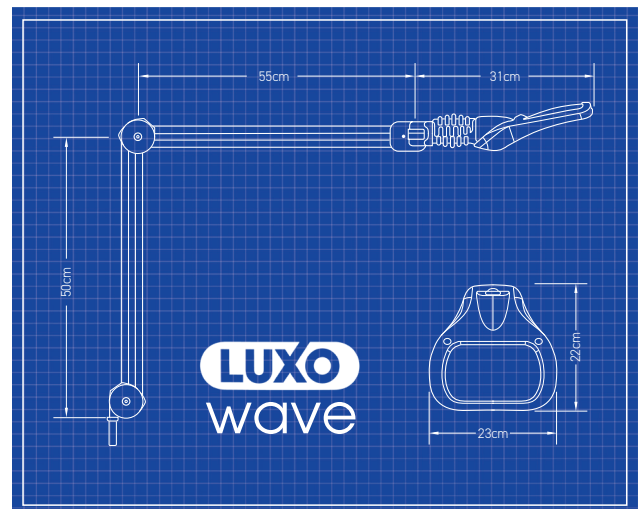
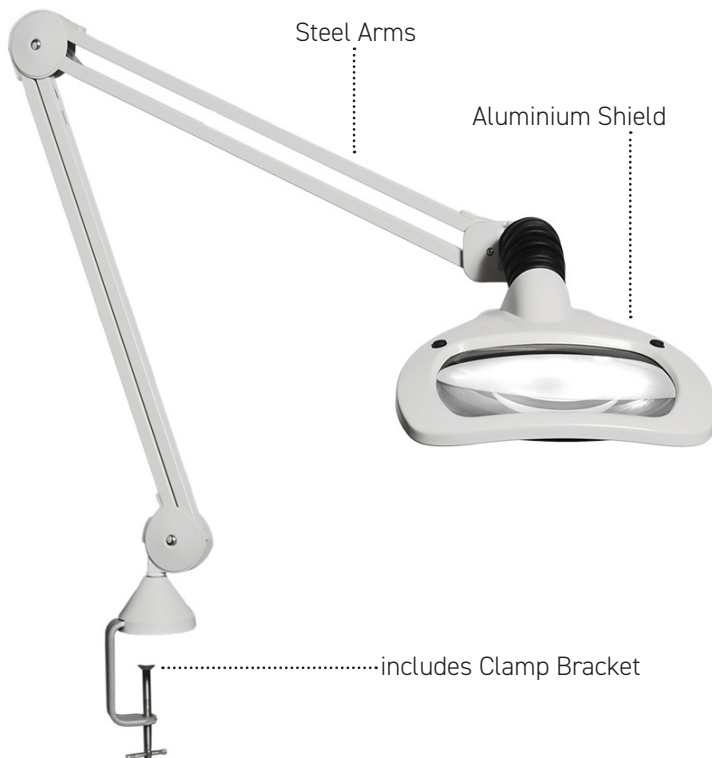
Luxo Wave L.E.D Magnifying Lamp

- Two switchable L.E.D lights
 - 3D (1 light) illumination
 - Shadow-free (2 lights) illumination
- 3.5 diopter rectangular lens for tunnel-free magnified vision
- Energy efficient
- Low-on going costs - no tube or starter switch replacement
- Auto shut-off feature
- Aluminium lens shade
- INCLUDES Clamp Bracket
- 5 Year Warranty

LUXOWAVE

Luxo Wave Magnifier Lamp

Log-in to www.briggatemedical.com for pricing



briggatemedicalcompany

Supporting Podiatrists with integrity and trust since 1987

(03) 8586 7800 (Melb. Metro)

1800 33 4142 (Free Call)

briggate@briggate.com.au

www.briggatemedical.com