

# MTI MTI529



- Electro-Mechanical Lift, Back, Tilt, Legrest & Legrest Extension
- Rapid, yet quiet movement
- Locking Slide-Back Patient Arm Rests
- Low entry height of 50cm
- Wide, comfortable Seat - 61cm
- 4 Position Programmability
- Slide-out Debris Tray

**ARTG DECLARED**  
# 175142

**CHAIR07-MB**      Midnight Blue  
**CHAIR07-SG**      Slate Grey

Please refer to [www.briggatemedical.com](http://www.briggatemedical.com) for product price and availability.



Leg Wrapping Attachment also available. Refer to page 4 for further information.



**MTI 529**  
Midnight Blue

WITH  
**SmartTech™**  
NEXT GENERATION  
TECHNOLOGY

PATIENT LIFT CAPACITY: **325kg**  
1,312kg Static Hold

Seamless Upholstery

LOW ENTRY HEIGHT: **50cm**

Warranty: **2 years**

Delivery fees may apply depending on delivery destination and courier service required.

# briggatemedicalcompany

Supporting Podiatrists with integrity and trust since 1987

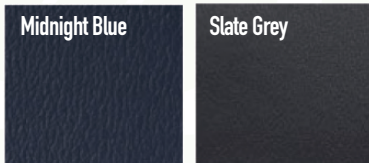
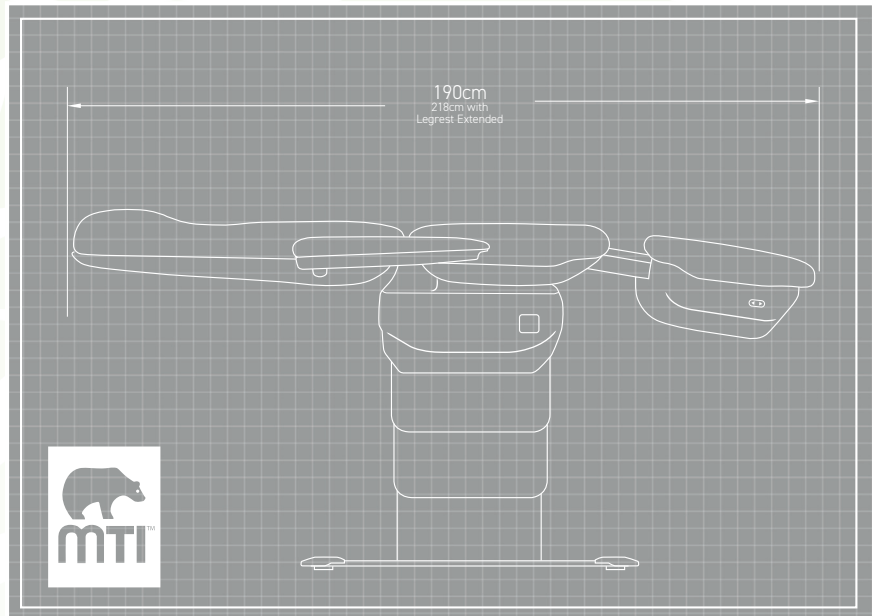
(03) 8586 7800 (Melb. Metro)

1800 33 4142 (Free Call)

[briggate@briggate.com.au](mailto:briggate@briggate.com.au)

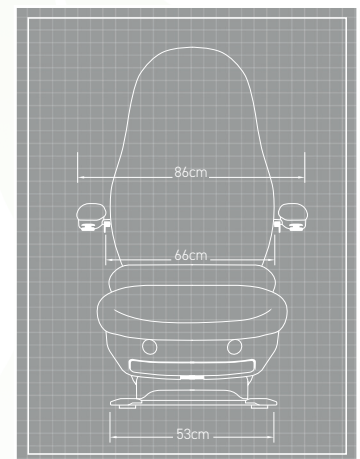
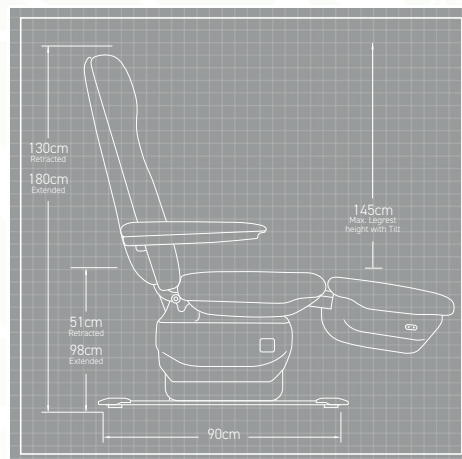
[www.briggatemedical.com](http://www.briggatemedical.com)

■ Max. Lift Capacity	325 kg
■ Minimum Seat Height	51cm
■ Maximum Leg Rest Height (tilted)	145cm
■ Maximum Length (flat)	218cm
■ Clearance between Armrests	66cm
■ Chair Width	66cm
■ Base Width	53cm
■ Base Length	90cm
■ Seat Cushion	62cmW x 54cmD
■ Back Cushion	62cmW x 90cmH
■ Leg Cushion	60cmW x 44cmD
■ Foot Control	51cmW x 18cmD
■ Debris Tray	33cmW x 21cmD
■ Mains voltage	100-240 VAC 50/60 Hz
■ Chair Weight	156 kg
■ ARTG#	175142



- Available in two premium seamless vinyl upholstery options as illustrated above.

**Leg Wrapping Attachment also available.**  
Refer to page 4 for further information.



LIFT



BACKREST



SEAT TILT



LEGREST EXTENSION

# briggatemedicalcompany

Supporting Podiatrists with integrity and trust since 1987





# SmartTech™

NEXT GENERATION  
TECHNOLOGY

MTI has improved on its gold standard line of Podiatry/Wound Care chairs with even HIGHER patient weight capacities and onboard computer systems for greater patient safety and comfort.

MTI's patented SmartTech™ Technology has now been implemented across the entire range we offer. SmartTech™ is the combination of MTI's Smart Controller™ and Smart Safety™ technology using a centralised computer controller that enhances safety, reduces energy consumption, and provides smoother movement, additional memory options and more user preferences.



### Control

Foot Control with Sealed Membrane for effective Cleaning and Disinfecting.



### Hassle Free

Maintenance-Free Joints. No Lubricating Pivot Joints... EVER!



### Memory

4 Dynamic User-Programmable Buttons for treatment positions.



### Speed

Ultra Quiet Low Voltage DC Motors Provide Speed and Power.



### Universal

Universal Power Supply for 100-240 Volt Applications (VAC)



### Hibernate

After 60 Minutes Chair Sleeps to Save Energy.



### Safety

Smart Safety™ Technology Helps Keep the Chair in Safe Positions



### Upholstery

Seamless Vinyl Upholstered Cushions for Easy Cleaning and Greater Infection Control



### Extension

Powered Footrest Extends 28cm for Taller Patients



### Soft Start

Technology Providing Smooth Start and Stop Movements



### Movement

Removable Slide Back Patient Arms Compensate with Backrest Movement



### Home

Programmable Home Positions

4 Programmable Memory Positions that allow the operator to store their preferred chair treatment positions

Fully sealed membrane on foot control makes cleaning easy and is vital for infection control



Individual buttons that raise/lower four mechanical functions of the chair: Back Rest, Seat Tilt, Leg Rest and Lift Height

Swivel Function NOT installed in the MTI chairs we stock

Home button restores the chair to it's base entry position

# briggatemedicalcompany

Supporting Podiatrists with integrity and trust since 1987



Dual purpose design allows the Leg Wrapping Support to be easily adjusted to facilitate wrapping of different aspects of the leg/foot.



Strong yet lightweight design rated to hold 68kg



Easily-to-use connections allow simple transition of Leg Wrapping Support between left and right connection ports

Eliminates the difficulty of supporting a patients leg & provides an ergonomic solution to potential caregiver injury

Also available:

### MTI Leg Wrapping Support

- Dual function support that provides a calf support for wrapping the foot/heel and a heel support for wrapping the rest of the leg
- Constructed from aluminium for a light-weight yet very strong support and is non-porous coated for ease in cleaning and disinfecting
- Can easily be moved to either the left or right-hand side of the foot section for ease of wrapping either leg or heel

#### CHAIR5G2LW

MTI Chair Mounted Leg Wrapping Support  
Suitable for all MTI G2 models: 529, 529W & 550 Chairs.

Please refer to [www.briggatemedical.com](http://www.briggatemedical.com) for product price and availability.

VIDEO DEMO:



# briggatemedicalcompany

Supporting Podiatrists with integrity and trust since 1987

(03) 8586 7800 (Melb. Metro)

1800 33 4142 (Free Call)

[briggate@briggate.com.au](mailto:briggate@briggate.com.au)

[www.briggatemedical.com](http://www.briggatemedical.com)