



MTI550

- Electro-Mechanical Lift, Back, Tilt, Legrest & Legrest Extension
- Ultra fast - yet quiet movement
- Locking Slide-Back Patient Arm Rests
- Low entry height of 50cm
- Wide, comfortable Seat
- 4 Position Programmability via Sealed Foot Control
- Power saving Sleep Mode

ARTG DECLARED
175142

CHAIR06-MB Midnight Blue
CHAIR06-SG Slate Grey

Please refer to www.briggatemedical.com
for product price and availability.



**DEBRIS TRAY & LEG WRAP
SUPPORT ATTACHMENTS
ALSO AVAILABLE**
(SOLD SEPARATELY - REFER TO PG 4)



WITH
SmartTech™
NEXT GENERATION
TECHNOLOGY



PATIENT
LIFT
CAPACITY: **325kg**
1,300kg Static Hold

LOW
ENTRY
HEIGHT: **50cm**

Seamless
Upholstery

Warranty:
2 years

briggatemedicalcompany

Supporting Podiatrists with integrity and trust since 1987

(03) 8586 7800 (Melb. Metro)

1800 33 4142 (Free Call)

briggate@briggate.com.au

www.briggatemedical.com

MTI 550

Specifications:

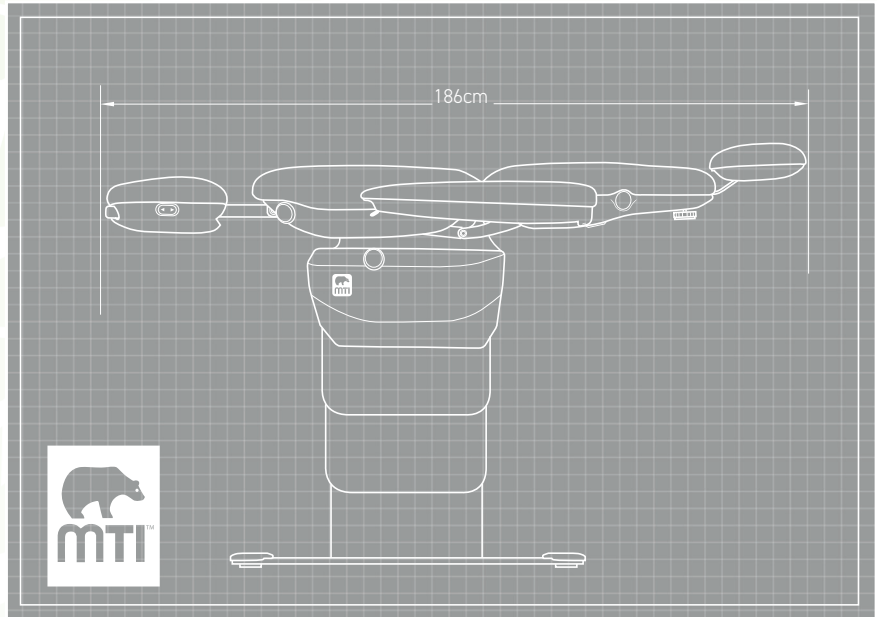
- Max. Lift Capacity 325kg
- Minimum Seat Height 50cm
- Maximum Leg Rest Height (tilted) 140cm
- Maximum Length (flat) 186cm
- Clearance between Armrests 65cm
- Chair Width 86cm

- Base Width 52cm
- Base Length 84cm
- Seat Cushion 64cmW x 56cmD
- Back Cushion 63cmW x 59cmH
- Leg Cushion 53cmW x 34cmD

- Foot Control 51cmW x 18cmD

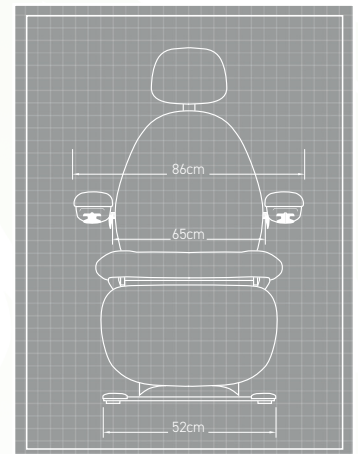
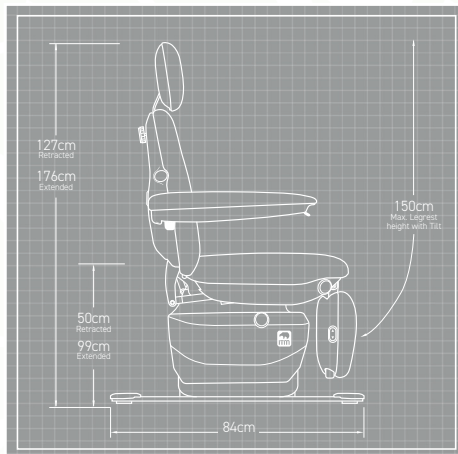
- Mains voltage 100-240 VAC 50/60 Hz
- Chair Weight 140 kg
- ARTG# 175142

- Debris Tray is available as an optional extra.



- Available in two premium seamless vinyl upholstery options as illustrated above.

Leg Wrapping Attachment also available.
Refer to page 4 for further information.



LIFT



BACK REST



SEAT TILT



LEG REST



LEG REST EXTENSION

briggatemedicalcompany

Supporting Podiatrists with integrity and trust since 1987

(03) 8586 7800 (Melb. Metro)

1800 33 4142 (Free Call)

briggate@briggate.com.au

www.briggatemedical.com



SmartTech™

NEXT GENERATION
TECHNOLOGY

MTI has improved on its gold standard line of Podiatry/Wound Care chairs with even HIGHER patient weight capacities and onboard computer systems for greater patient safety and comfort.

MTI's patented SmartTech™ Technology has now been implemented across the entire range we offer. SmartTech™ is the combination of MTI's Smart Controller™ and Smart Safety™ technology using a centralised computer controller that enhances safety, reduces energy consumption, and provides smoother movement, additional memory options and more user preferences.



Control

Foot Control with Sealed Membrane for effective Cleaning and Disinfecting.



Hassle Free

Maintenance-Free Joints. No Lubricating Pivot Joints... EVER!



Memory

4 Dynamic User-Programmable Buttons for treatment positions.



Speed

Ultra Quiet Low Voltage DC Motors Provide Speed and Power.



Universal

Universal Power Supply for 100-240 Volt Applications (VAC)



Hibernate

After 60 Minutes Chair Sleeps to Save Energy.



Safety

Smart Safety™ Technology Helps Keep the Chair in Safe Positions



Upholstery

Seamless Vinyl Upholstered Cushions for Easy Cleaning and Greater Infection Control



Extension

Powered Footrest Extends 28cm for Taller Patients



Soft Start

Technology Providing Smooth Start and Stop Movements



Movement

Removable Slide Back Patient Arms Compensate with Backrest Movement



Home

Programmable Home Positions

4 Programmable Memory Positions that allow the operator to store their preferred chair treatment positions

Fully sealed membrane on foot control makes cleaning easy and is vital for infection control



Individual buttons that raise/lower four mechanical functions of the chair: Back Rest, Seat Tilt, Leg Rest and Lift Height

Swivel Function NOT installed in the MTI chairs we stock

Home button restores the chair to it's base entry position

briggatemedicalcompany

Supporting Podiatrists with integrity and trust since 1987

(03) 8586 7800 (Melb. Metro)

1800 33 4142 (Free Call)

briggate@briggate.com.au

www.briggatemedical.com



Dual purpose design allows the Leg Wrapping Support to be easily adjusted to facilitate wrapping of different aspects of the leg/foot.



Strong yet lightweight design rated to hold 68kg

Easily-to-use connections allow simple transition of Leg Wrapping Support between left and right connection ports



MTI 550
Slate Grey

Also available:

MTI Debris Tray Assembly Attachment

- Debris Tray attachment assembly designed for use with G2 MTI 550 Chair
- Assembly can be angled to best suit treatment position
- Debris Tray can be removed from assembly for ease of cleaning

CHAIR5G2DT MTI Debris Tray Assembly Attachment

MTI Leg Wrapping Support

- Dual function support that provides a calf support for wrapping the foot/heel and a heel support for wrapping the rest of the leg
- Eliminates the difficulty of supporting a patients leg and provides an ergonomic solution to potential caregiver injury
- Constructed from aluminium for a light-weight yet very strong support and is non-porous coated for ease in cleaning and disinfecting
- Can easily be moved to either the left or right-hand side of the foot section for ease of wrapping either leg or heel

CHAIR5G2LW

MTI Chair Mounted Leg Wrapping Support
Suitable for all MTI G2 models: 529, 529W & 550 Chairs.

Please refer to www.briggatemedical.com
for product price and availability.

VIDEO DEMO:



briggatemedicalcompany

Supporting Podiatrists with integrity and trust since 1987